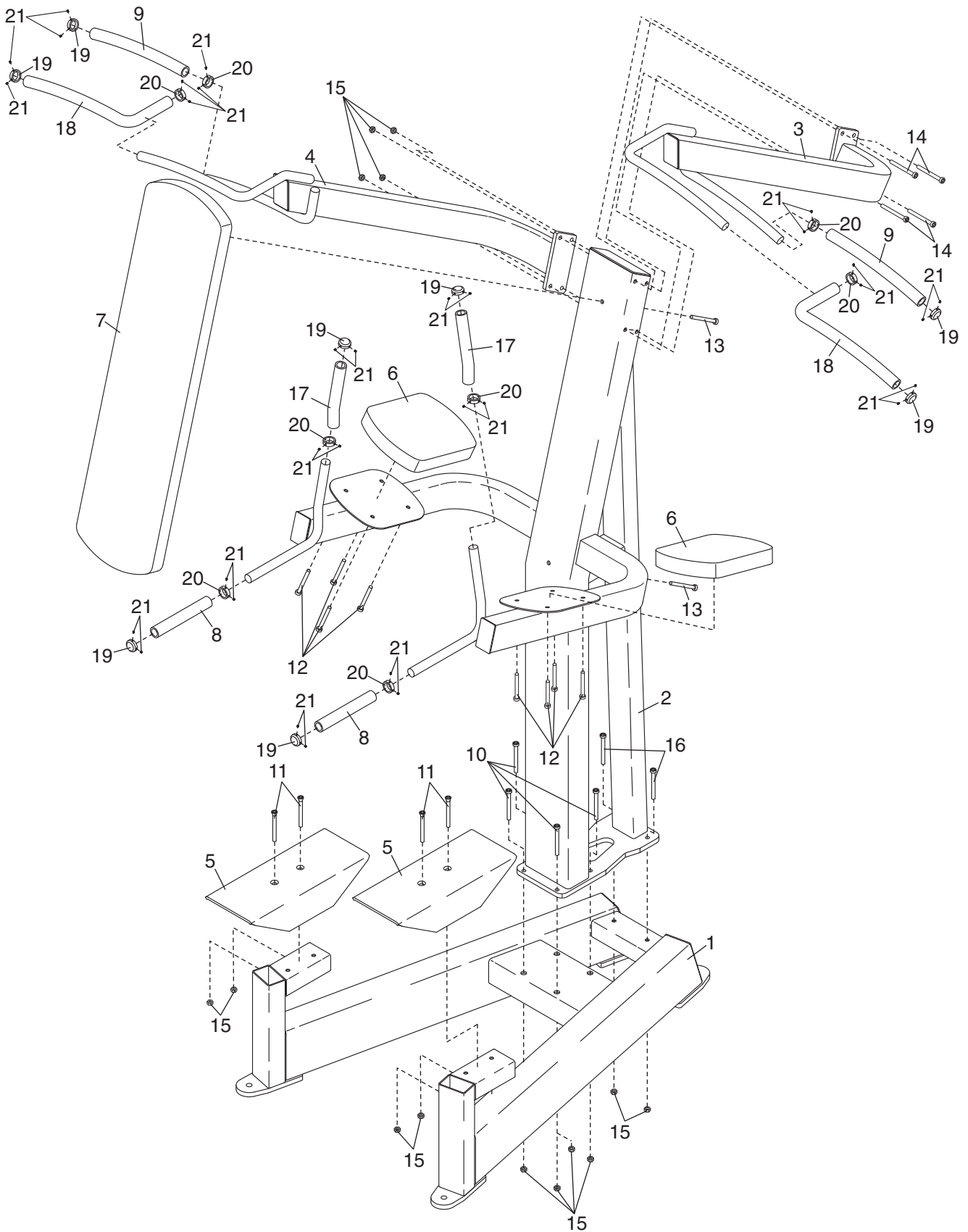


# EXPLODED DRAWING—Model No. GZFW2071.3

R0207A



Bubble #	OEM Number	Description
2	GZ4350	UPRIGHT
3	GZ4349	RIGHT ARM
4	GZ4348	LEFT ARM
5	GZ9402	FOOT REST
6	GZ5108-09	ARM PAD
7	GZ5108-10	BACKREST
8	GZ1732	SM RBR HANDGRIP, NOTE:
10	GZ1014-03	3/8" X 4" BOLT
11	171559	3/8" X 1.25" FLTHD BOLT
12	GZ1014-01	3/8" X 1" NON-PATCH BOLT
13	GZ1014-03	3/8" X 4" NON-PATCH BOLT
15	GZ1007	3/8" NYLON LOCKNUT
16	GZ1014-02	3/8" X 3" BOLT